



*X*cellent
ICE FRAGRANT



Ice Fragrant

DESIGN STORY

The frameless and silk-like luminaire surface with paintings, moon, window, scene, tea and incense concepts, Oriental series present the aesthetic of luminaire. Accompany you with gently and smooth light by different patterns and iron made decorative plate provide the moment of peaceful, the positive energy, the happiness memory and the guidelines for the way to home while you take a look at it. You can experience a silence , relaxation and inspiration from the daily life. It's a good selection to decorate your home or send an unusual gift for any occasion.

DESCRIPTION

Camellias bloom in the snow, no matter how cold it is, the flower spread the fragrant. The peaceful light behind is sparkling the warmth to embrace the heart. XcellentDesign create a light to encourage people break away the hardship.

FEATURE

- Slim, Frameless and Silky luminaire
 - The iron made decorative plate * present more imagination.
 - Walnut wood lamp stand bring out the quality of product.
 - Full rang dimming function create different scene need.
 - 5V USB connector offers universal power supply options.
 - Simple and elegant package set off the value of present.
- ▶ Decorative plate: Custom requests can be considered on volume orders.

SPECIFICATION

Model No.	XL31-03T-225
Light Source	LED
Power Consumption	3.7Watt
Voltage	5V adaptor included
Color Temperature	2800K
Color Rendition	80 CRI
Dimming	Full Range Dimmer included
Cord Length	1.5 meter USB Core
Net Weight	0.6kg (1.32lb)

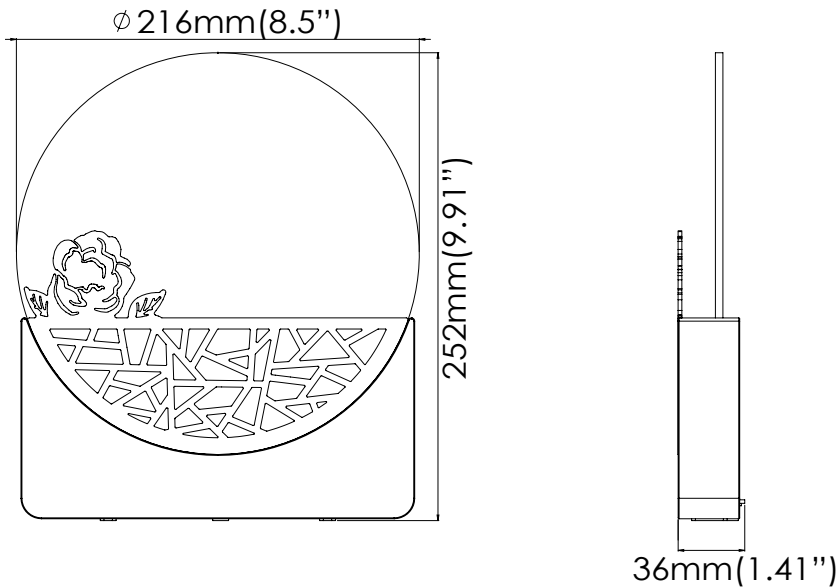
DESIGNER

Ader Chen

MATERIAL

Acrylic Glass Light Guide
Textural Coating Iron
Walnut Wood Base

DIMENSION



Xcellent

3F, 111-32, Sec. 4, Sanho Road
SanChong District, New Taipei City
Taiwan 24152

www.xcellentdesign.com

info@xcellent.com.tw