



Xcellent
DRAGONFLY



DRAGONFLY PENDANT

DESCRIPTION

To be configured by luminous blade units, XcellentDesign organize a series of lighting to depicting the nature creatures. DRAGONFLY inspired by semi-transparent wings of dragonfly, the bilateral symmetrical thin wings connect to light body to balance the whole fixture and make light extended far away. Each blade unit can be separated, easy to package, install and replace. DRAGONFLY has standard configurations of 8 and 16 pieces suitable for long tables. The other configurations can be considered on volume orders.

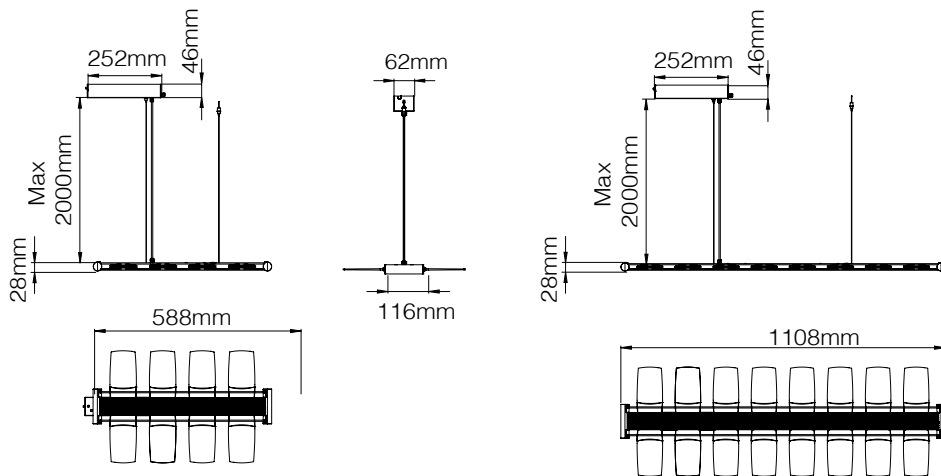
FEATURE

- Slim and frameless, the luminaire surface appears silk-like when lit-up and returns to clear when unlit.
- The LED light source is hidden inside of fixture and guide out by millions micro-lens on the surface of blade which emit a controlled, uniform, smooth and low-glare comfortable light.
- Each blade unit can be separated, easy to package, install and replace.

SPECIFICATION

Product	Dragonfly-S	Dragonfly-L
Model No.	XL01-008P	XL01-016P
Light Source	LED	LED
Power Consumption	24 Watt	44 Watt
Voltage	100~240V 50/60Hz	100~240V 50/60Hz
Color Temperature	2700K	2700K
Color Rendition	>=80CRI	>=80CRI
Lifespan	50,000+Hours	50,000+Hours
Canopy	Black Coating Steel Box	
Dimming	adapt to 110V LED Triac Dimmer (not included) or 0-10V Dimmer (not included)	
Cord	1.8m eco-friendly TPV cord	1.8m eco-friendly TPV cord
Net Weight	3.4kg (7.5lb)	5.7kg (12.6lb)

DIMENSION



DESIGNER

Ader Chen

MATERIAL

PMMA Light Guide
EDP Casting Aluminum
TPV Cord

FINISHES

Matt Black



Xcellent

3F, 111-32, Sec. 4, Sanho Road
SanChong District, New Taipei City
Taiwan 24152