



TWINS
Xcellent



Twins Table Light

DESCRIPTION

Two symmetrical luminous blade shape a simple and beautiful light, when its placed on the tabletop, that like a bird is about to fly. With an unique silk-like luminous light guide, XcellentDesign is trying to bring the natural aesthetics into the modern living space through visual and lighting creation, it provides a relaxing and restful corner for a compact and busy life, a kind of physical and mental freedom.

FEATURE

- Slim and frameless, the luminaire surface appears silk-like when lit-up and returns to clear when unlit.
- Invisible led chips, each side of the glass illuminates to create visual layers and comfortable ambience.
- The whole surface of a blade emits a controlled, uniform, smooth and low-glare comfortable light.
- Through the dimmer embodied on the top, you could adjust the brightness easily.

DESIGNER

Roxanne Lai

MATERIAL

Acrylic Glass Light Guide
Textural ABS

FINISHES

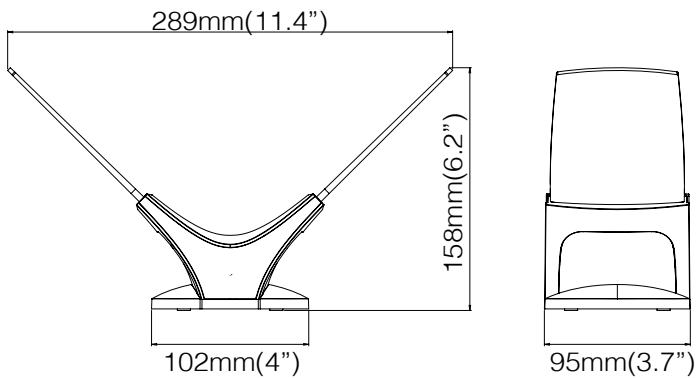
Matt White



SPECIFICATION

Model No.	XL12-01T
Light Source	LED
Power Consumption	8Watt
Voltage	5V adaptor included
Color Temperature	3000K
Color Rendition	85CRI
Dimming	Full Range Dimmer included
Cord Length	2 meter USB Core
Net Weight	0.48kg (1,1lb)

DIMENSION



Xcellent

3F, 111-32, Sec. 4, Sanho Road
SanChong District, New Taipei City
Taiwan 24152

www.xcellentdesign.com
service@xcellentdesign.com